



i500 inverters

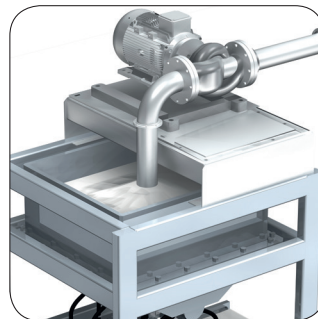
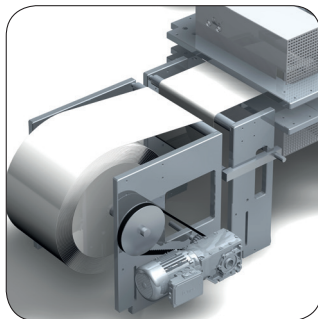
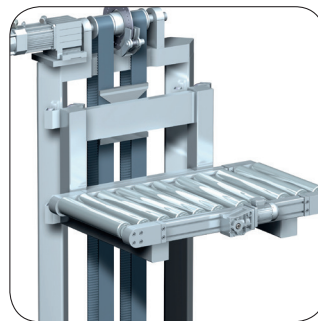
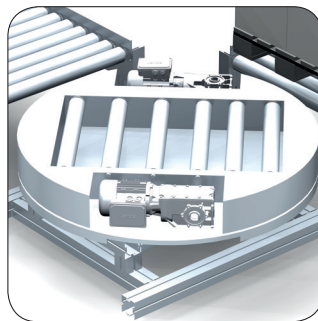
0.33 ... 175 hp (0.25 ... 132 kW)

Lenze makes many things easy for you.

With our motivated and committed approach, we work together with you to create the best possible solution and set your ideas in motion - whether you are looking to optimize an existing machine or develop a new one. We always strive to make things easy and seek perfection therein. This is anchored in our thinking, in our services and in every detail of our products. It's as easy as that!

On principle: Always perfect: the new i500

The i500 is ideal for numerous applications: traveling drives, conveyor drives, shaper drives, pumps and fans, tool drives, hoist drives and winding drives.



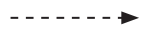
Less means more!

Focused on the essentials: the new i500

i500 is the new inverter series - a streamlined design, scalable functionality and exceptional user-friendliness.

Smaller unnecessary elements

- High scalability in terms of the mains voltage range, rated power and modular structure
- Supports all current networks
- Diagnostics via keypad, USB or WLAN

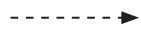


Greater cost savings

- Optimized solution for individual customer requirements
- Flexibility

Smaller Size

- Compact size: Up to 15 hp (11 kW), only 5.12 in (130 mm) deep and, up to 3 hp (2.2 kW), only 2.36 (60 mm) in wide
- Side-by-side installation: can be mounted adjacent to each other

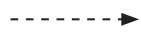


Greater space in the control cabinet

- Provides solutions in limited spaces
- Smaller control cabinets reduce costs

Smaller engineering expenditure

- Intuitively logical structure of parameters
- Easy controller integration

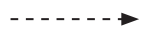


Greater time for what really matters

- Saves time in engineering
- Reduction in potential error sources

Smaller installation expenses

- Keyhole mounting
- Plug-in terminals up to 3 hp (2.2 kW)
- Out-of-the box operability. Simply connect, start, go!
- Plug-in memory module

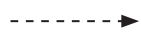


Greater productivity

- Saves time during installation
- Fewer faults in use
- Lower costs in the event of a service

Smaller energy consumption

- Fewer inverter losses thanks to the use of cutting-edge technologies
- Energy-efficient

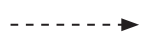


Greater sustainability

- Best efficiency values, lowest energy costs
- Future-proof thanks to DIN EN 50598

Smaller downtime

- Robust single board design
- Entire device produced by Lenze



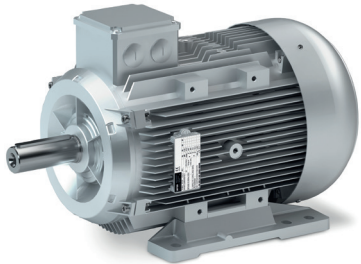
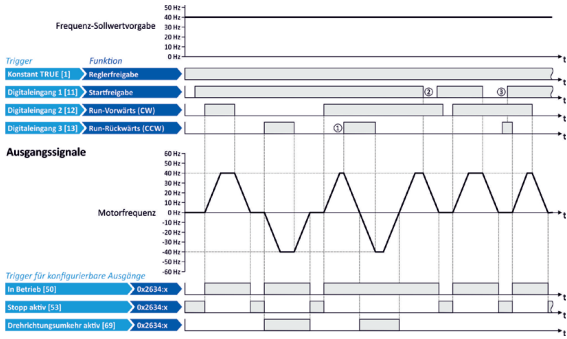
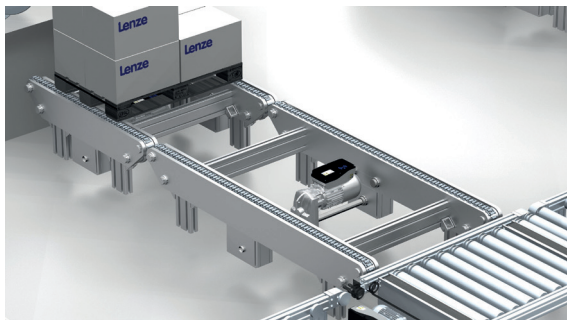
Greater reliability

- Lower quality assurance costs in manufacture
- Reduces operational guarantee costs



Functionality

i500 provides a high-quality frequency inverter that already conforms to future standard in accordance with the EN 50598-2 efficiency classes (IE). Overall, this provides a reliable and future-proof drive for a wide range of machine applications.

Adjustable motor controls for three-phase AC current motors	
	<ul style="list-style-type: none"> • V/f characteristic control linear/quadratic (VFC plus) • Sensorless vector control (SLV) • Energy saving function (VFC eco) • Servo control (SC-ASM) with feedback • Sensorless vector control for synchronous motors (up to 30 hp (22 kW))
Motor functions	
 <p>The diagram illustrates the relationship between frequency setpoint, triggers, and output signals. It shows a sawtooth wave for the motor frequency and digital pulses for various control signals.</p>	<ul style="list-style-type: none"> • Flying restart circuit • Slip compensation • Energy saving function (VFC eco) • DC braking • Oscillation damping • Skip frequencies • Automatic identification of the motor data • Brake energy management • Holding brake control • Voltage add – function • Rational Energy Ride Through (backup operation in case of mains failure) • Speed feedback (HTL encoder) • Brake resistor control (brake chopper integrated) • DC-bus connection (480V devices)
Application functions	
	<ul style="list-style-type: none"> • Process controller (PID) • Process controller - sleep mode and rinse function • Freely assignable favorite menu • Parameter change-over • S-shaped ramps for smooth acceleration • Motor potentiometer • Flexible I/O configuration • Access protection • Automatic restart • OEM parameter set • Sequencer

Monitoring

off	off	No supply voltage
1 Hz		Safe torque off (STO) active.
		Safe torque off (STO) active, warning active
		Inverter inhibited
		Inverter inhibited, no DC-bus voltage
		Inverter inhibited, warning active
		Inverter inhibited, error available
		Inverter enabled and motor running
		Inverter enabled and motor running, warning pending
		Inverter enabled, quick stop as response to a fault active
Error message	Cause and remedy (W = warning, T = trouble, F = fault)	
2382/ 2383	Ixt fault/ixt warning	
3210/ 3211	Overvoltage DC-bus/warning overvoltage DC-bus	
3220/ 3221	DC-bus voltage too low for switch-on	
3222	DC-bus voltage too low for switch-on	
4310	Motor overtemperature error	
6280	Trigger/functions incorrectly connected. In flexible mode, the controller release or Run/Stop must be allocated to an I/O. Do not use start-forwards/backwards and run-forwards/backwards at the same time.	
FF37	Automatic start disabled	

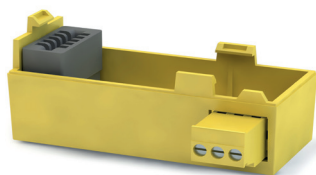
- Short circuit
- Earth fault
- Device overload monitoring (i^{*t})
- Motor overload monitoring (i^{2*t})
- Mains phase failure
- Stalling protection
- Motor current limit
- Maximum torque
- Ultimate motor current
- Motor speed monitoring
- Load loss detection
- Motor temperature monitoring (PTC and thermal contact)

Diagnostics



- Error history buffer
- Logbook
- LED status display
- Keypad language selection German, English
- PC tool (EASY Starter)
- Smartphone app (iOS and Android)

Safety functions (optional)



- STO (Safe torque off) with PL 'e' and SIL 3

Network (optional)

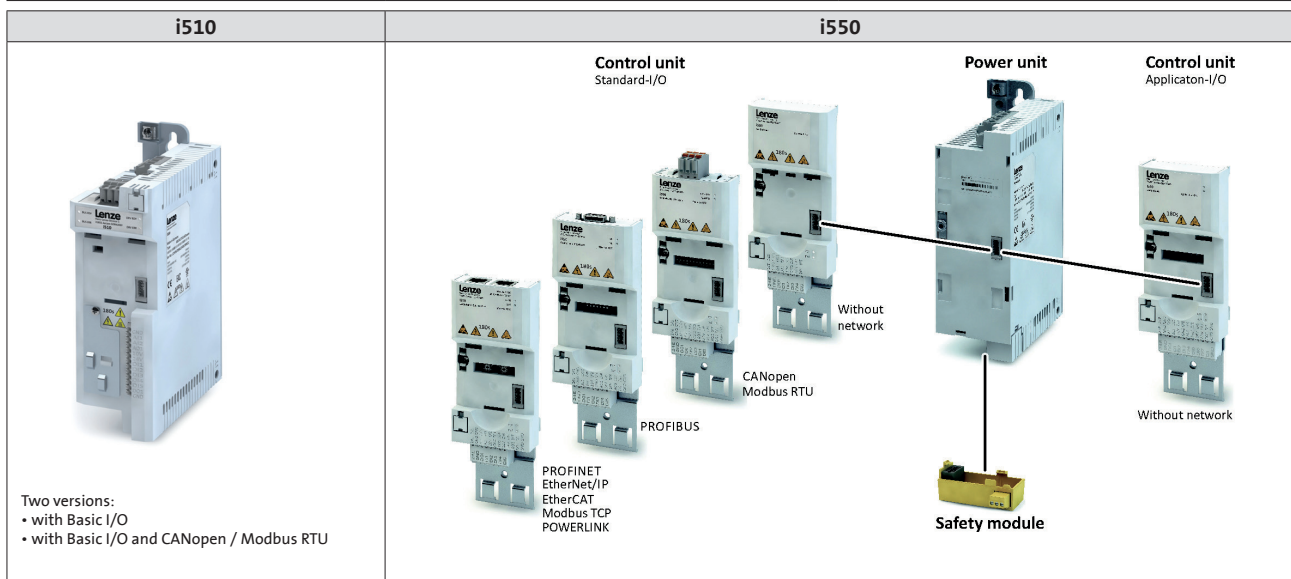


- CANopen
- Modbus RTU
- Modbus TCP
- EtherCAT
- EtherNet/IP
- PROFIBUS
- PROFINET
- POWERLINK

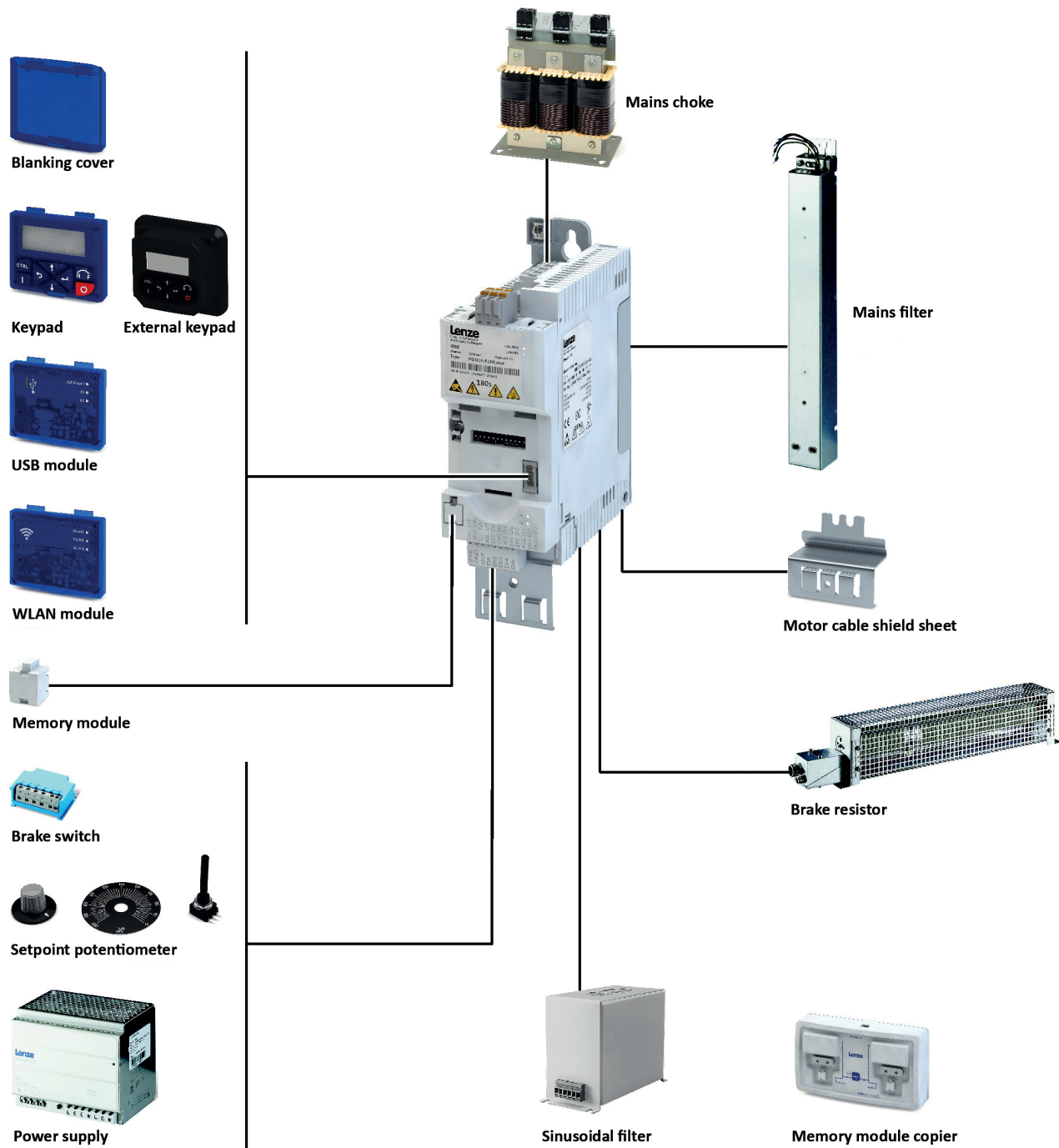
Scalability

Easily scaled, the right i500 can be customized to suit the application. Here, “scaled” refers to two optimized products: the i510 as the basic design with predefined modes and the high-capacity modular i550 for a variety of applications. Which is the right one for you? See the following table:

	i510	i550
Type of construction and ordering option	Single board design	Modular type of construction
Power range	0.33 hp ... 20 hp (0.25 kW ... 15 kW)	0.33 hp ... 175 hp (0.25 kW ... 132 kW)
Scope	Memory module <ul style="list-style-type: none"> IT-network compatibility Integrated RFI filter (apart from i510-Cxxx/230-2) Can be installed in a row Relay (type C) 	Memory module <ul style="list-style-type: none"> IT-network suitability Integrated RFI filter (apart from i550-Cxxx/120-1, i550-Cxxx/230-2, i550-Cxxx/230-3) Can be installed in a row Relay (type C) Brake chopper DC bus operation possible HTL incremental encoder up to 100 kHz Temperature monitoring Functional safety: STO
I/O-extension	<ul style="list-style-type: none"> Spring terminal, fixed terminals Basic I/O <ul style="list-style-type: none"> - 5 digital inputs, 1 digital output - 2 analog inputs, 1 analog output 	<ul style="list-style-type: none"> Plug-in spring terminal External 24 V supply Selectable negative or positive logic (PNP/NPN) Standard I/O: <ul style="list-style-type: none"> - 5 digital inputs, 1 digital output - 2 analog inputs, 1 analog output or Application I/O: <ul style="list-style-type: none"> - 6 digital inputs, 2 digital outputs - 2 analog inputs, 2 analog outputs
Fieldbus network – optional	CANopen/Modbus RTU	<ul style="list-style-type: none"> CANopen Modbus RTU Modbus TCP POWERLINK EtherCAT EtherNet/IP PROFIBUS PROFINET
Motor controls	<ul style="list-style-type: none"> V/f characteristic control (VFC open loop; linear, quadratic or VFC eco) Sensorless vector control (SLVC) Sensorless control (SL-PSM) 	<ul style="list-style-type: none"> V/f characteristic control (VFC open loop; linear, quadratic or VFC-Eco) V/f characteristic control (VFC closed loop) with feedback Sensorless vector control (SLVC) Sensorless control (SL-PSM) Servo control (SC-ASM) with feedback (up to 30 hp (22 kW))



The scalable inverter is completed by an accessory kit. Simply select all the necessary components oriented to your application.



Technical data

Inverter i510; connection to 230 V mains

Conformities	CE	2014/35/EU, 2014/30/EU
	EAC	TR TC 004/2011, TP TC 020/2011
	RoHS 2	2011/65/EU
Approvals	cUL _{us}	UL 61800-5-1, CSA 22.2 No. 274
Energy efficiency	Class IE2	EN 50598-2
Enclosure	IP20	EN 60529 (except in wire range of terminals)
		NEMA 250 (Type 1 protection against accidental contact only)
Power system	Open type	Only in UL-approved systems
	TT, TN	Voltage against earth: max. 300 V
	IT	Apply the measures described for IT systems!
Mains switching		3 x within one minute possible
Operation with residual current circuit breaker		Up to 3 hp (2.2 kW) 30 mA
Cable length for EMC	Category C2	65.6 ft. (20 m) (≤0.5 hp (0.37 kW) max. 49.2 ft. (15 m))
	Category C3	≥ 114.8 ft. (35 m) (≤0.5 hp (0.37 kW) max. 49.2 ft. (15 m))
Switching frequencies		2, 4, 8, 16 kHz, The rated output currents listed below apply at 113 °F (45 °C) and switching frequencies of 2 and 4 kHz, and at 104 °F (40 °C) and switching frequencies of 8 and 16 kHz
Ambient temperature		131 °F (55 °C) (derating of 2.5 %/1.8 °F over 113 °F (45 °C))
Max. output frequency		0 Hz ... 599 Hz
Overload capacity		200% for 3s; 150% for 60s

	Rated power	Mains voltage range	Rated output current	Weight	Dimensions (h x b x d)
	hp (kW)	V	A	lb (kg)	in (mm)
One-phase inverter with integrated RFI filter					
i510-C0.25/230-1	0.33 (0.25)	1/N/PE AC 170 V ... 264 V 45 Hz ... 65 Hz	1.7	1.7 (0.75)	6.1 x 2.36 x 5.12 (155 x 60 x 130)
i510-C0.37/230-1	0.5 (0.37)		2.4	1.7 (0.75)	6.1 x 2.36 x 5.12 (155 x 60 x 130)
i510-C0.55/230-1	0.75 (0.55)		3.2	2.1 (0.95)	7.09 x 2.36 x 5.12 (180 x 60 x 130)
i510-C0.75/230-1	1 (0.75)		4.2	2.1 (0.95)	7.09 x 2.36 x 5.12 (180 x 60 x 130)
i510-C1.1/230-1	1.5 (1.1)		6	3 (1.35)	9.84 x 2.36 x 5.12 (250 x 60 x 130)
i510-C1.5/230-1	2 (1.5)		7	3 (1.35)	9.84 x 2.36 x 5.12 (250 x 60 x 130)
i510-C2.2/230-1	3 (2.2)		9.6	3 (1.35)	9.84 x 2.36 x 5.12 (250 x 60 x 130)
One/three-phase inverter without integrated RFI filter					
i510-C0.25/230-2	0.33 (0.25)	1/N/PE AC or 3/PE AC 170 V ... 264 V 45 Hz ... 65 Hz	1.7	1.7 (0.75)	6.1 x 2.36 x 5.12 (155 x 60 x 130)
i510-C0.37/230-2	0.5 (0.37)		2.4	1.7 (0.75)	6.1 x 2.36 x 5.12 (155 x 60 x 130)
i510-C0.55/230-2	0.75 (0.55)		3.2	2.1 (0.95)	7.09 x 2.36 x 5.12 (180 x 60 x 130)
i510-C0.75/230-2	1 (0.75)		4.2	2.1 (0.95)	7.09 x 2.36 x 5.12 (180 x 60 x 130)
i510-C1.1/230-2	1.5 (1.1)		6	3 (1.35)	9.84 x 2.36 x 5.12 (250 x 60 x 130)
i510-C1.5/230-2	2 (1.5)		7	3 (1.35)	9.84 x 2.36 x 5.12 (250 x 60 x 130)
i510-C2.2/230-2	3 (2.2)		9.6	3 (1.35)	9.84 x 2.36 x 5.12 (250 x 60 x 130)
Three-phase inverter without integrated RFI filter					
i510-C4.0/230-3	5 (4)	3/PE AC 170 V ... 264 V 45 Hz ... 65 Hz	16.5	4.6 (2.1)	9.84 x 3.54 x 5.12 (250 x 90 x 130)
i510-C5.5/230-3	7.5 (5.5)		23	4.6 (2.1)	9.84 x 3.54 x 5.12 (250 x 90 x 130)

Inverter i510; connection to 480 V mains

Conformities	CE	2014/35/EU, 2014/30/EU
	EAC	TR TC 004/2011, TP TC 020/2011
	RoHS 2	2011/65/EU
Approvals	cUL _{us}	UL 61800-5-1, CSA 22.2 No. 274
Energy efficiency	Class IE2	EN 50598-2
Enclosure	IP20	EN 60529 (except in wire range of terminals)
		NEMA 250 (Type 1 protection against accidental contact only)
Power system	Open type	Only in UL-approved systems
	TT, TN	Voltage against earth: max. 300 V
	IT	Apply the measures described for IT systems!
Mains switching		3 x within one minute possible
Operation with residual current circuit breaker		Up to 3 hp (2.2 kW) 30 mA
Cable length for EMC	Category C2	65.6 ft. (20 m) (≤0.5 hp (0.37 kW) max. 49.2 ft. (15 m))
	Category C3	≥ 114.8 ft. (35 m) (≤0.5 hp (0.37 kW) max. 49.2 ft. (15 m))
Switching frequencies		2, 4, 8, 16 kHz, The rated output currents listed below apply at 113 °F (45 °C) and switching frequencies of 2 and 4 kHz, and at 104 °F (40 °C) and switching frequencies of 8 and 16 kHz
Ambient temperature		131 °F (55 °C) (derating of 2.5 %/1.8 °F over 113 °F (45 °C))
Max. output frequency		0 Hz ... 599 Hz
Overload capacity		200% for 3s; 150% for 60s

	Rated power	Mains voltage range	Rated output current	Weight	Dimensions (h x b x d)
	hp (kW)	V	A	lb (kg)	in (mm)
Three-phase inverter with integrated RFI filter					
i510-C0.37/400-3	0.5 (0.37)	3/PE AC 340 V ... 528 V 45 Hz ... 65 Hz	1.3	1.7 (0.75)	6.1 x 2.36 x 5.12 (155 x 60 x 130)
i510-C0.55/400-3	0.75 (0.55)		1.8	2.1 (0.95)	7.09 x 2.36 x 5.12 (180 x 60 x 130)
i510-C0.75/400-3	1 (0.75)		2.4	2.1 (0.95)	7.09 x 2.36 x 5.12 (180 x 60 x 130)
i510-C1.1/400-3	1.5 (1.1)		3.2	3 (1.35)	9.84 x 2.36 x 5.12 (250 x 60 x 130)
i510-C1.5/400-3	2 (1.5)		3.9	3 (1.35)	9.84 x 2.36 x 5.12 (250 x 60 x 130)
i510-C2.2/400-3	3 (2.2)		5.6	3 (1.35)	9.84 x 2.36 x 5.12 (250 x 60 x 130)
i510-C3.0/400-3	4 (3)		7.3	5 (2.3)	9.84 x 3.54 x 5.12 (250 x 90 x 130)
i510-C4.0/400-3	5 (4)		9.5	5 (2.3)	9.84 x 3.54 x 5.12 (250 x 90 x 130)
i510-C5.5/400-3	7.5 (5.5)		13	5 (2.3)	9.84 x 3.54 x 5.12 (250 x 90 x 130)
i510-C7.5/400-3	10 (7.5)		16.5	8 (3.7)	10.87 x 4.72 x 5.12 (276 x 120 x 130)
i510-C11/400-3	15 (11)		23.5	8 (3.7)	10.87 x 4.72 x 5.12 (276 x 120 x 130)
Three-phase mains connection 480 V - Light duty; with integrated RFI filter					
i510-C3/400-3	5 (4)	3/PE AC 340 V ... 528 V 45 Hz ... 65 Hz	8.8	5 (2.3)	9.84 x 3.54 x 5.12 (250 x 90 x 130)
i510-C4/400-3	7.5 (5.5)		11.9	5 (2.3)	9.84 x 3.54 x 5.12 (250 x 90 x 130)
i510-C5.5/400-3	10 (7.5)		15.6	5 (2.3)	9.84 x 3.54 x 5.12 (250 x 90 x 130)
i510-C7.5/400-3	15 (11)		23	8 (3.7)	10.87 x 4.72 x 5.12 (276 x 120 x 130)
i510-C11/400-3	20 (15)		28.2	8 (3.7)	10.87 x 4.72 x 5.12 (276 x 120 x 130)

Inverter i550; connection to 120 V mains and 230 V mains

Conformities	CE	2014/35/EU, 2014/30/EU
	EAC	TR TC 004/2011, TP TC 020/2011
	RoHS 2	2011/65/EU
Approvals	UL _{US}	UL 61800-5-1, CSA 22.2 No. 274
Energy efficiency	Class IE2	EN 50598-2
Enclosure	IP20	EN 60529 (except in wire range of terminals)
	Open type	NEMA 250 (Type 1 protection against accidental contact only) Only in UL-approved systems
Power system	TT, TN	Voltage against earth: max. 300 V
	IT	Apply the measures described for IT systems!
Mains switching		3 x within one minute possible
Operation with residual current circuit breaker		up to 3 hp (2.2 kW) 30 mA, above this 300 mA
Cable length for EMC	Category C2	65.6 ft. (20 m) (=0.5 hp (0.37 kW) max. 49.2 ft. (15 m))
	Category C3	≥ 114.8 ft. (35 m) (=0.5 hp (0.37 kW) max. 49.2 ft. (15 m))
Switching frequencies		2, 4, 8, 16 kHz, The rated output currents listed below apply at 113 °F (45 °C) and switching frequencies of 2 and 4 kHz, and at 104 °F (40 °C) and switching frequencies of 8 and 16 kHz
Max. ambient temperature		131 °F (55 °C) (derating of 2.5 %/1.8 °F over 113 °F (45 °C))
Max. output frequency		0 Hz ... 599 Hz
Overload capacity		200% for 3s; 150% for 60s

	Rated power	Mains voltage range	Rated output current	Weight	Dimensions (h x b x d)
	hp (kW)	V	A	lb (kg)	in (mm)
One-phase mains connection 120 V; without integrated RFI filter					
i550-C0.25/120-1	0.33 (0.25)	1/N/PE AC 90 V ... 132 V 45 Hz ... 65 Hz	1.7	2.2 (1)	7.09 x 2.36 x 5.12 (180 x 60 x 130)
i550-C0.37/120-1	0.5 (0.37)		2.4	2.2 (1)	7.09 x 2.36 x 5.12 (180 x 60 x 130)
i550-C0.75/120-1	1 (0.75)		4.2	3 (1.35)	9.84 x 2.36 x 5.12 (250 x 60 x 130)
i550-C1.1/120-1	1.5 (1.1)		6	3 (1.35)	9.84 x 2.36 x 5.12 (250 x 60 x 130)
One-phase mains connection 230/240 V; with integrated RFI filter					
i550-C0.25/230-1	0.33 (0.25)	1/N/PE AC 170 V ... 264 V 45 Hz ... 65 Hz	1.7	1.8 (0.8)	6.1 x 2.36 x 5.12 (155 x 60 x 130)
i550-C0.37/230-1	0.5 (0.37)		2.4	1.8 (0.8)	6.1 x 2.36 x 5.12 (155 x 60 x 130)
i550-C0.55/230-1	0.75 (0.55)		3.2	2.2 (1)	7.09 x 2.36 x 5.12 (180 x 60 x 130)
i550-C0.75/230-1	1 (0.75)		4.2	2.2 (1)	7.09 x 2.36 x 5.12 (180 x 60 x 130)
i550-C1.1/230-1	1.5 (1.1)		6	3 (1.35)	9.84 x 2.36 x 5.12 (250 x 60 x 130)
i550-C1.5/230-1	2 (1.5)		7	3 (1.35)	9.84 x 2.36 x 5.12 (250 x 60 x 130)
i550-C2.2/230-1	3 (2.2)		9.6	3 (1.35)	9.84 x 2.36 x 5.12 (250 x 60 x 130)
One-phase mains connection 230/240 V; without integrated RFI filter					
i550-C0.25/230-2	0.33 (0.25)	1/N/PE AC 170 V ... 264 V 45 Hz ... 65 Hz	1.7	1.8 (0.8)	6.1 x 2.36 x 5.12 (155 x 60 x 130)
i550-C0.37/230-2	0.5 (0.37)		2.4	1.8 (0.8)	6.1 x 2.36 x 5.12 (155 x 60 x 130)
i550-C0.55/230-2	0.75 (0.55)		3.2	2.2 (1)	7.09 x 2.36 x 5.12 (180 x 60 x 130)
i550-C0.75/230-2	1 (0.75)		4.2	2.2 (1)	7.09 x 2.36 x 5.12 (180 x 60 x 130)
i550-C1.1/230-2	1.5 (1.1)		6	3 (1.35)	9.84 x 2.36 x 5.12 (250 x 60 x 130)
i550-C1.5/230-2	2 (1.5)		7	3 (1.35)	9.84 x 2.36 x 5.12 (250 x 60 x 130)
i550-C2.2/230-2	3 (2.2)		9.6	3 (1.35)	9.84 x 2.36 x 5.12 (250 x 60 x 130)
Three-phase mains connection 230/240 V; without integrated RFI filter					
i550-C0.25/230-2	0.33 (0.25)	3/PE AC 170 V ... 264 V 45 Hz ... 65 Hz	1.7	1.8 (0.8)	6.1 x 2.36 x 5.12 (155 x 60 x 130)
i550-C0.37/230-2	0.5 (0.37)		2.4	1.8 (0.8)	6.1 x 2.36 x 5.12 (155 x 60 x 130)
i550-C0.55/230-2	0.75 (0.55)		3.2	2.2 (1)	7.09 x 2.36 x 5.12 (180 x 60 x 130)
i550-C0.75/230-2	1 (0.75)		4.2	2.2 (1)	7.09 x 2.36 x 5.12 (180 x 60 x 130)
i550-C1.1/230-2	1.5 (1.1)		6	3 (1.35)	9.84 x 2.36 x 5.12 (250 x 60 x 130)
i550-C1.5/230-2	2 (1.5)		7	3 (1.35)	9.84 x 2.36 x 5.12 (250 x 60 x 130)
i550-C2.2/230-2	3 (2.2)		9.6	3 (1.35)	9.84 x 2.36 x 5.12 (250 x 60 x 130)
i550-C4.0/230-3	5 (4)		16.5	4.6 (2.1)	9.84 x 3.54 x 5.12 (250 x 90 x 130)
i550-C5.5/230-3	7.5 (5.5)		23	4.6 (2.1)	9.84 x 3.54 x 5.12 (250 x 90 x 130)

Inverter i550; connection to 480 V mains supply

Certain i550 480 V inverters can be operated with two load characteristics. Heavy Duty: For requirements with high overload behavior. Light Duty: For requirements with low-level overload behavior.

Conformities	CE	2014/35/EU, 2014/30/EU
	EAC	TR TC 004/2011, TP TC 020/2011
	RoHS 2	2011/65/EU
Approvals	cUL _{us}	UL 61800-5-1, CSA 22.2 No. 274
Energy efficiency	Class IE2	EN 50598-2
Enclosure	IP20	EN 60529 (except in wire range of terminals)
		NEMA 250 (Type 1 protection against accidental contact only)
	Open type	Only in UL-approved systems
Power system	TT, TN	Voltage against earth: max. 300 V
	IT	Apply the measures described for IT systems!
Mains switching		3 x within one minute possible
Operation with residual current circuit breaker		Up to 3 hp (2.2 kW) 30 mA
Cable length for EMC	Category C2	65.6 ft. (20 m) (=0.5 hp (0.37 kW) max. 49.2 ft. (15 m))
	Category C3	≥ 114.8 ft. (35 m) (=0.5 hp (0.37 kW) max. 49.2 ft. (15 m))
Switching frequencies		2, 4, 8, 16 kHz, The rated output currents listed below apply at 113 °F (45 °C) and switching frequencies of 2 and 4 kHz, and at 104 °F (40 °C) and switching frequencies of 8 and 16 kHz
ambient temperature		131 °F (55 °C) (derating of 2.5 %/1.8 °F over 113 °F (45 °C))
Max. output frequency		0 Hz ... 599 Hz
Overload capacity		200 % for 3 s; Heavy Duty: 150 % for 60 s, Light Duty: 120 % für 60 s

	Rated power	Mains voltage range	Rated output current	Weight	Dimensions (h x b x d)
	hp (kW)	V	A	lb (kg)	in (mm)
Three-phase mains connection 480 V – Heavy duty; with integrated RFI filter					
i550-C0.37/400-3	0.5 (0.37)	3/PE AC 340 V ... 528 V 45 Hz ... 65 Hz	1.3	1.8 (0.8)	6.1 x 2.36 x 5.13 (155 x 60 x 130)
i550-C0.55/400-3	0.75 (0.55)		1.8	2.2 (1)	7.09 x 2.36 x 5.12 (180 x 60 x 130)
i550-C0.75/400-3	1 (0.75)		2.4	2.2 (1)	7.09 x 2.36 x 5.12 (180 x 60 x 130)
i550-C1.1/400-3	1.5 (1.1)		3.2	3 (1.35)	9.84 x 2.36 x 5.12 (250 x 60 x 130)
i550-C1.5/400-3	2 (1.5)		3.9	3 (1.35)	9.84 x 2.36 x 5.12 (250 x 60 x 130)
i550-C2.2/400-3	3 (2.2)		5.6	3 (1.35)	9.84 x 2.36 x 5.12 (250 x 60 x 130)
i550-C3/400-3	4 (3)		7.3	5 (2.3)	9.84 x 3.54 x 5.12 (250 x 90 x 130)
i550-C4/400-3	5 (4)		9.5	5 (2.3)	9.84 x 3.54 x 5.12 (250 x 90 x 130)
i550-C5.5/400-3	7.5 (5.5)		13	5 (2.3)	9.84 x 3.54 x 5.12 (250 x 90 x 130)
i550-C7.5/400-3	10 (7.5)		16.5	8 (3.7)	10.87 x 4.72 x 5.12 (276 x 120 x 130)
i550-C11/400-3	15 (11)		23.5	8 (3.7)	10.87 x 4.72 x 5.12 (276 x 120 x 130)
i550-C15/400-3	20 (15)		32	23 (10.3)	13.66 x 8.05 x 8.74 (347 x 204,5 x 222)
i550-C18/400-3	25 (18.5)		40	23 (10.3)	13.66 x 8.05 x 8.74 (347 x 204,5 x 222)
i550-C22/400-3	30 (22)		47	23 (10.3)	13.66 x 8.05 x 8.74 (347 x 204,5 x 222)
i550-C30/400-3	40 (30)		61	38 (17.2)	17.72 x 9.85 x 9.05 (450 x 250 x 230)
i550-C.37/400-3	50 (37)		76	38 (17.2)	17.72 x 9.85 x 9.05 (450 x 250 x 230)
i550-C45/400-3	60 (45)		89	38 (17.2)	17.72 x 9.85 x 9.05 (450 x 250 x 230)
i550-C55/400-3	75 (55)		110	53 (24)	21 x 10 x 10.43 (536 x 250 x 265)
i550-C75/400-3	100 (75)		150	53 (24)	21 x 10 x 10.43 (536 x 250 x 265)
i550-C90/400-3	125 (90)		180	78.5 (35.6)	27 x 10.16 x 11.97 (685 x 258 x 304)
i550-C110/400-3	150 (110)	212	78.5 (35.6)	27 x 10.16 x 11.97 (685 x 258 x 304)	
Three-phase mains connection 480 V - Light duty; with integrated RFI filter					
i550-C3/400-3	5 (4)	3/PE AC 340 V ... 528 V 45 Hz ... 65 Hz	8.8	5 (2.3)	9.84 x 3.54 x 5.12 (250 x 90 x 130)
i550-C4/400-3	7.5 (5.5)		11.9	5 (2.3)	9.84 x 3.54 x 5.12 (250 x 90 x 130)
i550-C5.5/400-3	10 (7.5)		15.6	5 (2.3)	9.84 x 3.54 x 5.12 (250 x 90 x 130)
i550-C7.5/400-3	15 (11)		23	8 (3.7)	10.87 x 4.72 x 5.12 (276 x 120 x 130)
i550-C11/400-3	20 (15)		28.2	8 (3.7)	10.87 x 4.72 x 5.12 (276 x 120 x 130)
i550-C15/400-3	25 (18.5)		38,4	23 (10.3)	13.66 x 8.05 x 8.74 (347 x 204,5 x 222)
i550-C18/400-3	30 (22)		48	23 (10.3)	13.66 x 8.05 x 8.74 (347 x 204,5 x 222)
i550-C22/400-3	40 (30)		56.4	23 (10.3)	13.66 x 8.05 x 8.74 (347 x 204,5 x 222)
i550-C30/400-3	50 (37)		73,2	38 (17.2)	17.72 x 9.85 x 9.05 (450 x 250 x 230)
i550-C37/400-3	60 (45)		91,2	38 (17.2)	17.72 x 9.85 x 9.05 (450 x 250 x 230)
i550-C45/400-3	75 (55)		107	38 (17.2)	17.72 x 9.85 x 9.05 (450 x 250 x 230)
i550-C55/400-3	100 (75)		132	53 (24)	21 x 10 x 10.43 (536 x 250 x 265)
i550-C75/400-3	125 (90)		180	53 (24)	21 x 10 x 10.43 (536 x 250 x 265)
i550-C90/400-3	150 (110)		216	78.5 (35.6)	27 x 11.97 x 11.96 (685 x 258 x 304)
i550-C110/400-3	175 (132)		254	78.5 (35.6)	27 x 11.97 x 11.96 (685 x 258 x 304)

Order code i500

i510 or i550:
delivery as complete inverter

If the same inverter is always inserted into the machine, the inverter can be ordered “out of the box”. i5x0 is the designation for both products; these products can be ordered in the power range of up to 3 hp (2.2 kW).

Ordering information for complete device

Example for inverter i550-C2.2/400-3:

Inverter	Order code				
<ul style="list-style-type: none"> Three-phase mains connection 480 V Power 3 hp (2.2 kW) Safety function STO Standard I/O with CANopen 	i55AE222F1	A	V1	0	002S

Inverter	Order code	
i5x0-C0.25/120-1	i5xAE125A1	
i5x0-C0.37/120-1	i5xAE137A1	
i5x0-C0.75/120-1	i5xAE175A1	V0
i5x0-C1.1/120-1	i5xAE211A1	
i5x0-C0.25/230-1	i5xAE125B1	
i5x0-C0.37/230-1	i5xAE137B1	
i5x0-C0.55/230-1	i5xAE155B1	V1
i5x0-C0.75/230-1	i5xAE175B1	
i5x0-C1.1/230-1	i5xAE211B1	
i5x0-C1.5/230-1	i5xAE215B1	
i5x0-C2.2/230-1	i5xAE222B1	
i5x0-C0.25/230-2	i5xAE125D1	
i5x0-C0.37/230-2	i5xAE137D1	
i5x0-C0.55/230-2	i5xAE155D1	V0
i5x0-C0.75/230-2	i5xAE175D1	
i5x0-C1.1/230-2	i5xAE211D1	
i5x0-C1.5/230-2	i5xAE215D1	
i5x0-C2.2/230-2	i5xAE222D1	
i5x0-C4.0/230-3	i5xAE240C1	
i5x0-C5.5/230-3	i5xAE255C1	
i5x0-C0.37/400-3	i5xAE137F1	
i5x0-C0.55/400-3	i5xAE155F1	
i5x0-C0.75/400-3	i5xAE175F1	
i5x0-C1.1/400-3	i5xAE211F1	
i5x0-C1.5/400-3	i5xAE215F1	
i5x0-C2.2/400-3	i5xAE222F1	V1
i5x0-C3/400-3	i5xAE230F1	
i5x0-C4/400-3	i5xAE240F1	
i5x0-C5.5/400-3	i5xAE255F1	
i5x0-C7.5/400-3	i5xAE275F1	
i5x0-C11/400-3	i5xAE311F1	
i550-C15/400-3	i55AE315F1	
i550-C18.5/400-3	i55AE318F1	
i550-C22/400-3	i55AE322F1	
i550-C30/400-3	i55AE330F1	
i550-C37/400-3	i55AE337F1	
i550-C45/400-3	i55AE345F1	
i550-C55/400-3	i55AE355F1	
i550-C75/400-3	i55AE375F1	
i550-C90/400-3	i55AE390F1	
i550-C110/400-3	i55AE411F1	
Safety engineering		
Without safety function		0
Safety function STO		A
Control code		
Type		
Global type, mains frequency 50 Hz		0
USA type, mains frequency Hz		1
Compact device types i510		
Basic I/O		000S
Basic I/O with CANopen/Modbus		001S
Mounted control unit in the case of the i550		
Standard I/O without network		000S
Application I/O without network		001S
Standard I/O with CANopen		002S
Standard I/O with Modbus RTU		003S
Standard I/O with PROFIBUS		004S
Standard I/O with EtherCAT		00KS
Standard I/O with PROFINET		00LS
Standard I/O with EtherNet/IP		00MS
Standard I/O with Modbus TCP		00WS
Standard I/O with POWERLINK		012S

**i550:
delivery as components**

If different product versions are required in the machine, the various components can be ordered individually. Depending on the application, the components can be plugged together easily and without any further tools.

Ordering information for components

Example for inverter i550-C2.2/400-3:

Components	Order code
<ul style="list-style-type: none"> • Three-phase mains connection 480 V • Power 3 hp (2.2 kW) 	I5DAE222F10V10000S
Safety function STO	I5MASAV000000S
Standard I/O with CANopen	I5CA5C02000VA0000S





Power Unit inverter	Order code
i550-C0.25/120-1	i5DAE125A10V00000S
i550-C0.37/120-1	i5DAE137A10V00000S
i550-C0.75/120-1	i5DAE175A10V00000S
i550-C1.1/120-1	i5DAE211A10V00000S
i550-C0.25/230-1	i5DAE125B10V10000S
i550-C0.37/230-1	i5DAE137B10V10000S
i550-C0.55/230-1	i5DAE155B10V10000S
i550-C0.75/230-1	i5DAE175B10V10000S
i550-C1.1/230-1	i5DAE211B10V10000S
i550-C1.5/230-1	i5DAE215B10V10000S
i550-C2.2/230-1	i5DAE222B10V10000S
i550-C0.25/230-2	i5DAE125D10V00000S
i550-C0.37/230-2	i5DAE137D10V00000S
i550-C0.55/230-2	i5DAE155D10V00000S
i550-C0.75/230-2	i5DAE175D10V00000S
i550-C1.1/230-2	i5DAE211D10V00000S
i550-C1.5/230-2	i5DAE215D10V00000S
i550-C2.2/230-2	i5DAE222D10V00000S
i550-C4.0/230-3	i5DAE240C10V00000S
i550-C5.5/230-3	i5DAE255C10V00000S
i550-C0.37/400-3	i5DAE137F10V10000S
i550-C0.55/400-3	i5DAE155F10V10000S
i550-C0.75/400-3	i5DAE175F10V10000S
i550-C1.1/400-3	i5DAE211F10V10000S
i550-C1.5/400-3	i5DAE215F10V10000S
i550-C2.2/400-3	i5DAE222F10V10000S
i550-C3/400-3	i5DAE230F10V10000S
i550-C4/400-3	i5DAE240F10V10000S
i550-C5.5/400-3	i5DAE255F10V10000S
i550-C7.5/400-3	i5DAE275F10V10000S
i550-C11/400-3	i5DAE311F10V10000S
i550-C15/400-3	i5DAE315F10V10000S
i550-C18.5/400-3	i5DAE318F10V10000S
i550-C22/400-3	i5DAE322F10V10000S
i550-C30/400-3	i5DAE330F10V10000S
i550-C37/400-3	i5DAE337F10V10000S
i550-C45/400-3	i5DAE345F10V10000S
i550-C55/400-3	i5DAE355F10V10000S
i550-C75/400-3	i5DAE375F10V10000S
i550-C90/400-3	i5DAE390F10V10000S
i550-C110/400-3	i5DAE411F10V10000S

Control unit	Order code	
	50 Hz	60 Hz
Standard I/O without network	I5CA5002000VA0000S	I5CA5002000VA1000S
Application I/O without network	I5CA5003000VA0000S	I5CA5003000VA1000S
Standard I/O with CANopen	I5CA5C02000VA0000S	I5CA5C02000VA1000S
Standard I/O with Modbus RTU	I5CA5W02000VA0000S	I5CA5W02000VA1000S
Standard I/O with Modbus TCP	I5CA5V02000VA0000S	I5CA5V02000VA1000S
Standard I/O with PROFIBUS	I5CA5P02000VA0000S	I5CA5P02000VA1000S
Standard I/O with EtherCAT	I5CA5T02000VA0000S	I5CA5T02000VA1000S
Standard I/O with PROFINET	I5CA5R02000VA0000S	I5CA5R02000VA1000S
Standard I/O with EtherNet/IP	I5CA5G02000VA0000S	I5CA5G02000VA1000S
Standard I/O with POWERLINK	I5CA5N02000VA0000S	I5CA5N02000VA1000S

Product extensions

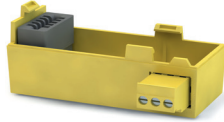
Diagnostics and operation i510 and i550

For diagnostics and parameterization, the keypad, the Lenze Smart Keypad app (download from Google Play) or the EASY Starter can be used.

Inverter	External keypad	Keypad	WLAN	USB
				
i550-Cxxx/120-1 i5x0-Cxxx/230-1 i5x0-Cxxx/230-2 i550-Cxxx/230-3 i5x0-Cxxx/400-3	I5MADR0000000S	I5MADK0000000S	I5MADW0000000S	I5MADU0000000S
	9.84 ft. (3m) cable			9.84 ft. (3m) cable
	I5MADR0000001S			EWL0085/S
	16.4 ft. (5 m) cable			16.4 ft. (5 m) m cable
	I5MADR0000002S			EWL0086/S

Functional safety i550

The safety function STO can also be ordered at a later date and retrofitted.

Inverter	Safety function STO (Safe torque off)
	
i550-Cxxx/120-1 i550-Cxxx/230-1 i550-Cxxx/230-2 i550-Cxxx/230-3 i550-Cxxx/400-3	I5MASAV0000000S


Shield sheet for i510 and i550

Accessories to safeguard the EMC if the motor shield is not installed on an earthing busbar in the control cabinet. From 20 hp (15 kW), the shield sheet is included with the inverter on delivery.

Inverter	Shield mounting kit	
Inverter i510 and i550 0.33 hp ... 3 hp (0.25 kW ... 2.2 kW)	EZAMBHXM014/M	5 x motor shielding plates
		10 x fixing clips
Inverter i510 and i550 4 hp ... 7.5 hp (3 kW ... 5.5 kW)	IEZAMBHXM015/M	5 x motor shielding plate
		5 x fixing clips
		5 x clamps (cable diameter .16 in59 in (4 mm ... 15 mm))
Inverter i510 and i550 10 hp ... 15 hp (7.5 kW ... 11 kW)	EZAMBHXM016/M	5 x motor shielding plate
		5 x fixing clips
		5 x clamps (cable diameter .39 in79 in (10 mm ... 20 mm))
Inverter i550 20 hp ... 60 hp (15 kW ... 45 kW)	EZAMBHXM004/M	5 x clamps (cable diameter .59 in ... 1.1 in (15 mm ... 28 mm))
	EZAMBHXM005/M	5 x clamps (cable diameter .79 in ... 1.46 in (20 mm ... 37 mm))
Inverter i550 75 hp ... 100 hp (55 kW ... 75 kW)	EZAMBHXM005/M	5 x clamps (cable diameter .79 in ... 1.46 in (20 mm ... 37 mm))

Accessories

Accessories i510; connection to 230 V mains and 480 V mains


Inverter	Rated power hp (kW)	Mains voltage range V	Brake resistor	
				
			Order codes	Dimensions (h x b x d) in (mm)
i510-C0.25/230-1	0.33 (0.25)	1/N/PE AC 170 V ... 264 V 45 Hz ... 65 Hz	-	-
i510-C0.37/230-1	0.5 (0.37)		-	-
i510-C0.55/230-1	0.75 (0.55)		-	-
i510-C0.75/230-1	1 (0.75)		-	-
i510-C1.1/230-1	1.5 (1.1)		-	-
i510-C1.5/230-1	2 (1.5)		-	-
i510-C2.2/230-1	3 (2.2)		-	-
i510-C0.25/230-2	0.33 (0.25)	1/N/PE AC or 3/PE AC 170 V ... 264 V 45 Hz ... 65 Hz	-	-
i510-C0.37/230-2	0.5 (0.37)		-	-
i510-C0.55/230-2	0.75 (0.55)		-	-
i510-C0.75/230-2	1 (0.75)		-	-
i510-C1.1/230-2	1.5 (1.1)		-	-
i510-C1.5/230-2	2 (1.5)		-	-
i510-C2.2/230-2	3 (2.2)		-	-
i510-C4.0/230-3	5 (4)	3/PE AC 170 V ... 264 V 45 Hz ... 65 Hz	-	-
i510-C5.5/230-3	7.5 (5.5)		-	-
Heavy Duty				
i510-C0.37/400-3	0.5 (0.37)	3/PE AC 340 V ... 528 V 45 Hz ... 65 Hz	-	-
i510-C0.55/400-3	0.75 (0.55)		-	-
i510-C0.75/400-3	1 (0.75)		-	-
i510-C1.1/400-3	1.5 (1.1)		-	-
i510-C1.5/400-3	2 (1.5)		-	-
i510-C2.2/400-3	3 (2.2)		-	-
i510-C3.0/400-3	4 (3)		-	-
i510-C4.0/400-3	5 (4)		-	-
i510-C5.5/400-3	7.5 (5.5)		-	-
i510-C7.5/400-3	10 (7.5)		-	-
i510-C11/400-3	15 (11)		-	-
Light Duty				
i510-C3/400-3	5 (4)	3/PE AC 340 V ... 528 V 45 Hz ... 65 Hz	-	-
i510-C4/400-3	7.5 (5.5)		-	-
i510-C5.5/400-3	10 (7.5)		-	-
i510-C7.5/400-3	15 (11)		-	-
i510-C11/400-3	20 (15)		-	-

There are also additional accessory components available for the i510 inverter. You can find the complete range in the project planning documents for the i510.

	Mains choke		RFI filter			
			Short Distance		Long Distance	
	<ul style="list-style-type: none"> Optional Reduction of effective mains current Fewer current harmonics 		<ul style="list-style-type: none"> C1 up to 82 ft. (25 m) C2 up to 164 ft. (50 m) Reduces leakage current (30 mA FI) 		<ul style="list-style-type: none"> C1 up to 164 ft. (50 m) C2 up to 328 ft. (100 m) Reduces leakage current (300 mA FI) 	
Order codes	Dimensions (h x b x d) in (mm)	Order codes	Dimensions (h x b x d) in (mm)	Order codes	Dimensions (h x b x d) in (mm)	
ELN1-0900H005	2.95 x 2.6 x 3.23 (75 x 66 x 82)	I0FAE175B100S0000S	10.87 x 2.36 x 1.97 (276 x 60 x 50)	I0FAE175B100D0000S	10.87 x 2.36 x 1.97 (276 x 60 x 50)	
ELN1-0900H005	2.95 x 2.6 x 3.23 (75 x 66 x 82)	I0FAE175B100S0000S	10.87 x 2.36 x 1.97 (276 x 60 x 50)	I0FAE175B100D0000S	10.87 x 2.36 x 1.97 (276 x 60 x 50)	
ELN1-0500H009	2.95 x 2.6 x 3.23 (75 x 66 x 82)	I0FAE175B100S0000S	10.87 x 2.36 x 1.97 (276 x 60 x 50)	I0FAE175B100D0000S	10.87 x 2.36 x 1.97 (276 x 60 x 50)	
ELN1-0500H009	2.95 x 2.6 x 3.23 (75 x 66 x 82)	I0FAE175B100S0000S	10.87 x 2.36 x 1.97 (276 x 60 x 50)	I0FAE175B100D0000S	10.87 x 2.36 x 1.97 (276 x 60 x 50)	
ELN1-0250H018	3.78 x 3.78 x 3.54 (96 x 96 x 90)	I0FAE222B100S0000S	13.62 x 2.36 x 1.97 (346 x 60 x 50)	I0FAE222B100D0000S	13.62 x 2.36 x 1.97 (346 x 60 x 50)	
ELN1-0250H018	3.78 x 3.78 x 3.54 (96 x 96 x 90)	I0FAE222B100S0000S	13.62 x 2.36 x 1.97 (346 x 60 x 50)	I0FAE222B100D0000S	13.62 x 2.36 x 1.97 (346 x 60 x 50)	
ELN1-0250H018	3.78 x 3.78 x 3.54 (96 x 96 x 90)	I0FAE222B100S0000S	13.62 x 2.36 x 1.97 (346 x 60 x 50)	I0FAE222B100D0000S	13.62 x 2.36 x 1.97 (346 x 60 x 50)	
EZAELN3002B153	2.2 x 3.03 x 3.94 (56 x 77 x 100)	-	-	-	-	
EZAELN3004B742	2.36 x 3.74 x 4.53 (60 x 95 x 115)	-	-	-	-	
EZAELN3004B742	2.36 x 3.74 x 4.53 (60 x 95 x 115)	-	-	-	-	
EZAELN3006B492	2.72 x 3.74 x 4.72 (69 x 95 x 120)	-	-	-	-	
EZAELN3006B492	2.72 x 3.74 x 4.72 (69 x 95 x 120)	-	-	-	-	
EZAELN3008B372	3.35 x 4.72 x 5.51 (85 x 120 x 140)	-	-	-	-	
EZAELN3010B292	3.35 x 4.72 x 5.51 (85 x 120 x 140)	-	-	-	-	
EZAELN3016B182	3.74 x 4.72 x 5.51 (95 x 120 x 140)	-	-	-	-	
EZAELN3025B122	4.33 x 6.1 x 6.69 (110 x 155 x 170)	-	-	-	-	
EZAELN3002B203	2.2 x 3.03 x 3.94 (56 x 77 x 100)	I0FAE175F100S0000S	10.87 x 2.36 x 1.97 (276 x 60 x 50)	I0FAE175F100D0000S	10.87 x 2.36 x 1.97 (276 x 60 x 50)	
EZAELN3002B153	2.2 x 3.03 x 3.94 (56 x 77 x 100)	I0FAE175F100S0000S	10.87 x 2.36 x 1.97 (276 x 60 x 50)	I0FAE175F100D0000S	10.87 x 2.36 x 1.97 (276 x 60 x 50)	
EZAELN3004B742	2.36 x 3.74 x 4.53 (60 x 95 x 115)	I0FAE175F100S0000S	10.87 x 2.36 x 1.97 (276 x 60 x 50)	I0FAE175F100D0000S	10.87 x 2.36 x 1.97 (276 x 60 x 50)	
EZAELN3004B742	2.36 x 3.74 x 4.53 (60 x 95 x 115)	I0FAE222F100S0000S	13.62 x 2.36 x 1.97 (346 x 60 x 50)	I0FAE222F100D0000S	13.62 x 2.36 x 1.97 (346 x 60 x 50)	
EZAELN3004B742	2.36 x 3.74 x 4.53 (60 x 95 x 115)	I0FAE222F100S0000S	13.62 x 2.36 x 1.97 (346 x 60 x 50)	I0FAE222F100D0000S	13.62 x 2.36 x 1.97 (346 x 60 x 50)	
EZAELN3006B492	2.72 x 3.74 x 4.72 (69 x 95 x 120)	I0FAE222F100S0000S	13.62 x 2.36 x 1.97 (346 x 60 x 50)	I0FAE222F100D0000S	13.62 x 2.36 x 1.97 (346 x 60 x 50)	
EZAELN3008B372	3.35 x 4.72 x 5.51 (85 x 120 x 140)	I0FAE255F100S0000S	13.62 x 3.54 x 2.36 (346 x 90 x 60)	I0FAE255F100D0000S	13.62 x 3.54 x 2.36 (346 x 90 x 60)	
EZAELN3010B292	3.35 x 4.72 x 5.51 (85 x 120 x 140)	I0FAE255F100S0000S	13.62 x 3.54 x 2.36 (346 x 90 x 60)	I0FAE255F100D0000S	13.62 x 3.54 x 2.36 (346 x 90 x 60)	
EZAELN3016B182	3.74 x 4.72 x 5.51 (95 x 120 x 140)	I0FAE255F100S0000S	13.62 x 3.54 x 2.36 (346 x 90 x 60)	I0FAE255F100D0000S	13.62 x 3.54 x 2.36 (346 x 90 x 60)	
EZAELN3016B182	3.74 x 4.72 x 5.51 (95 x 120 x 140)	I0FAE311F100S0000S	14.61 x 4.72 x 2.36 (371 x 120 x 60)	I0FAE311F100D0000S	14.61 x 4.72 x 2.36 (371 x 120 x 60)	
EZAELN3025B122	4.33 x 6.1 x 6.69 (110 x 155 x 170)	I0FAE311F100S0000S	14.61 x 4.72 x 2.36 (371 x 120 x 60)	I0FAE311F100D0000S	14.61 x 4.72 x 2.36 (371 x 120 x 60)	
EZAELN3010B292	3.35 x 4.72 x 5.51 (85 x 120 x 140)	I0FAE255F100S0000S	13.62 x 3.54 x 2.36 (346 x 90 x 60)	I0FAE255F100D0000S	13.62 x 3.54 x 2.36 (346 x 90 x 60)	
EZAELN3016B182	3.74 x 4.72 x 5.51 (95 x 120 x 140)	I0FAE255F100S0000S	13.62 x 3.54 x 2.36 (346 x 90 x 60)	I0FAE255F100D0000S	13.62 x 3.54 x 2.36 (346 x 90 x 60)	
EZAELN3016B182	3.74 x 4.72 x 5.51 (95 x 120 x 140)	I0FAE255F100S0000S	13.62 x 3.54 x 2.36 (346 x 90 x 60)	I0FAE255F100D0000S	13.62 x 3.54 x 2.36 (346 x 90 x 60)	
EZAELN3025B122	4.33 x 6.1 x 6.69 (110 x 155 x 170)	I0FAE311F100S0000S	14.61 x 4.72 x 2.36 (371 x 120 x 60)	I0FAE311F100D0000S	14.61 x 4.72 x 2.36 (371 x 120 x 60)	
EZAELN3030B981	4.33 x 6.1 x 6.69 (110 x 155 x 170)	I0FAE311F100S0000S	14.61 x 4.72 x 2.36 (371 x 120 x 60)	I0FAE311F100D0000S	14.61 x 4.72 x 2.36 (371 x 120 x 60)	

Accessories


Accessories for i550; connection to 120 V mains and 230 V mains

Inverter	Rated power	Mains voltage range	Brake resistor	
	hp (kW)	V	Order codes	Dimensions (h x b x d) in (mm)
				
i550-C0.25/120-1	0.33 (0.25)	1/N/PE AC 90 V ... 132 V 45 Hz ... 65 Hz	ERBM180R050W	6.89 x 0.83 x 1.57 (175 x 21 x 40)
i550-C0.37/120-1	0.5 (0.37)		ERBM180R050W	6.89 x 0.83 x 1.57 (175 x 21 x 40)
i550-C0.75/120-1	1 (0.75)		ERBP047R200W	12.6 x 1.61 x 4.8 (320 x 41 x 122)
i550-C1.1/120-1	1.5 (1.1)		ERBP047R200W	12.6 x 1.61 x 4.8 (320 x 41 x 122)
i550-C0.25/230-1	0.33 (0.25)	1/N/PE AC 170 V ... 264 V 45 Hz ... 65 Hz	ERBM180R050W	6.89 x 0.83 x 1.57 (175 x 21 x 40)
i550-C0.37/230-1	0.5 (0.37)		ERBM180R050W	6.89 x 0.83 x 1.57 (175 x 21 x 40)
i550-C0.55/230-1	0.75 (0.55)		ERBM100R100W	9.45 x 3.15 x 3.74 (240 x 80 x 95)
i550-C0.75/230-1	1 (0.75)		ERBM100R100W	9.45 x 3.15 x 3.74 (240 x 80 x 95)
i550-C1.1/230-1	1.5 (1.1)		ERBP033R200W	9.45 x 1.61 x 4.8 (240 x 41 x 122)
i550-C1.5/230-1	2 (1.5)		ERBP033R200W	9.45 x 1.61 x 4.8 (240 x 41 x 122)
i550-C2.2/230-1	3 (2.2)		ERBP033R200W	9.45 x 1.61 x 4.8 (240 x 41 x 122)
i550-C0.25/230-2	0.33 (0.25)	1/N/PE AC or 3/PE AC 170 V ... 264 V 45 Hz ... 65 Hz	ERBM180R050W	6.89 x 0.83 x 1.57 (175 x 21 x 40)
i550-C0.37/230-2	0.5 (0.37)		ERBM180R050W	6.89 x 0.83 x 1.57 (175 x 21 x 40)
i550-C0.55/230-2	0.75 (0.55)		ERBM100R100W	9.45 x 3.15 x 3.74 (240 x 80 x 95)
i550-C0.75/230-2	1 (0.75)		ERBM100R100W	9.45 x 3.15 x 3.74 (240 x 80 x 95)
i550-C1.1/230-2	1.5 (1.1)		ERBP033R200W	9.45 x 1.61 x 4.8 (240 x 41 x 122)
i550-C1.5/230-2	2 (1.5)		ERBP033R200W	9.45 x 1.61 x 4.8 (240 x 41 x 122)
i550-C2.2/230-2	3 (2.2)	ERBP033R200W	9.45 x 1.61 x 4.8 (240 x 41 x 122)	
i550-C4.0/230-3	5 (4)	3/PE AC 170 V ... 264 V 45 Hz ... 65 Hz	ERBS015R800W	27.95 x 4.33 x 4.13 (710 x 110 x 105)
i550-C5.5/230-3	7.5 (5.5)		ERBS015R800W	27.95 x 4.33 x 4.13 (710 x 110 x 105)

There are also additional accessory components available for the i550 inverter. You can find the complete range in the project planning documents for the i550.

Mains choke		RFI filter			
		Short Distance		Long Distance	
<ul style="list-style-type: none"> Up to 25 hp (18.5 kW) can be optionally used; from 30 hp (22 kW) upwards, prescribed Reduction of the effective mains current Less harmonics 		<ul style="list-style-type: none"> C1 up to 82 ft. (25 m) C2 up to 164 ft. (50 m) Reduces leakage current (30 mA FI) 		<ul style="list-style-type: none"> C1 up to 164 ft. (50 m) C2 up to 328 ft. (100 m) Reduces leakage current (300 mA FI) 	
Order codes	Dimensions (h x b x d) in (mm)	Order codes	Dimensions (h x b x d) in (mm)	Order codes	Dimensions (h x b x d) in (mm)
ELN1-0500H009	2.95 x 2.6 x 3.23 (75 x 66 x 82)	–	–	–	–
ELN1-0500H009	2.95 x 2.6 x 3.23 (75 x 66 x 82)	–	–	–	–
ELN1-0250H018	3.78 x 3.78 x 3.54 (96 x 96 x 90)	–	–	–	–
ELN1-0250H018	3.78 x 3.78 x 3.54 (96 x 96 x 90)	–	–	–	–
ELN1-0900H005	2.95 x 2.6 x 3.23 (75 x 66 x 82)	I0FAE175B100S0000S	10.87 x 2.36 x 1.97 (276 x 60 x 50)	I0FAE175B100D0000S	10.87 x 2.36 x 1.97 (276 x 60 x 50)
ELN1-0900H005	2.95 x 2.6 x 3.23 (75 x 66 x 82)	I0FAE175B100S0000S	10.87 x 2.36 x 1.97 (276 x 60 x 50)	I0FAE175B100D0000S	10.87 x 2.36 x 1.97 (276 x 60 x 50)
ELN1-0500H009	2.95 x 2.6 x 3.23 (75 x 66 x 82)	I0FAE175B100S0000S	10.87 x 2.36 x 1.97 (276 x 60 x 50)	I0FAE175B100D0000S	10.87 x 2.36 x 1.97 (276 x 60 x 50)
ELN1-0500H009	2.95 x 2.6 x 3.23 (75 x 66 x 82)	I0FAE175B100S0000S	10.87 x 2.36 x 1.97 (276 x 60 x 50)	I0FAE175B100D0000S	10.87 x 2.36 x 1.97 (276 x 60 x 50)
ELN1-0250H018	3.78 x 3.78 x 3.54 (96 x 96 x 90)	I0FAE222B100S0000S	13.62 x 2.36 x 1.97 (346 x 60 x 50)	I0FAE222B100D0000S	13.62 x 2.36 x 1.97 (346 x 60 x 50)
ELN1-0250H018	3.78 x 3.78 x 3.54 (96 x 96 x 90)	I0FAE222B100S0000S	13.62 x 2.36 x 1.97 (346 x 60 x 50)	I0FAE222B100D0000S	13.62 x 2.36 x 1.97 (346 x 60 x 50)
ELN1-0250H018	3.78 x 3.78 x 3.54 (96 x 96 x 90)	I0FAE222B100S0000S	13.62 x 2.36 x 1.97 (346 x 60 x 50)	I0FAE222B100D0000S	13.62 x 2.36 x 1.97 (346 x 60 x 50)
EZAELN3002B153	2.2 x 3.03 x 3.94 (56 x 77 x 100)	–	–	–	–
EZAELN3004B742	2.36 x 3.74 x 4.53 (60 x 95 x 115)	–	–	–	–
EZAELN3004B742	2.36 x 3.74 x 4.53 (60 x 95 x 115)	–	–	–	–
EZAELN3006B492	2.72 x 3.74 x 4.72 (69 x 95 x 120)	–	–	–	–
EZAELN3006B492	2.72 x 3.74 x 4.72 (69 x 95 x 120)	–	–	–	–
EZAELN3008B372	3.35 x 4.72 x 5.51 (85 x 120 x 140)	–	–	–	–
EZAELN3010B292	3.35 x 4.72 x 5.51 (85 x 120 x 140)	–	–	–	–
EZAELN3016B182	3.74 x 4.72 x 5.51 (95 x 120 x 140)	–	–	–	–
EZAELN3025B122	4.33 x 6.1 x 6.69 (110 x 155 x 170)	–	–	–	–

Accessories for i550; connection to 480 V mains

Inverter	Rated power	Mains voltage range	Brake resistor	
	hp (kW)		V	Order codes
				
	Heavy Duty			
i550-C0.37/400-3	0.5 (0.37)	3/PE AC 340 V ... 528 V 45 Hz ... 65 Hz	ERBM390R100W	9.25 x 0.83 x 1.57 (235 x 21 x 40)
i550-C0.55/400-3	0.75 (0.55)		ERBM390R100W	9.25 x 0.83 x 1.57 (235 x 21 x 40)
i550-C0.75/400-3	1 (0.75)		ERBM390R100W	9.25 x 0.83 x 1.57 (235 x 21 x 40)
i550-C1.1/400-3	1.5 (1.1)		ERBP180R200W	9.45 x 1.61 x 4.8 (240 x 41 x 122)
i550-C1.5/400-3	2 (1.5)		ERBP180R200W	9.45 x 1.61 x 4.8 (240 x 41 x 122)
i550-C2.2/400-3	3 (2.2)		ERBP180R200W	9.45 x 1.61 x 4.8 (240 x 41 x 122)
i550-C3.0/400-3	4 (3)		ERBP082R200W	12.6 x 1.61 x 4.8 (320 x 41 x 122)
i550-C4.0/400-3	5 (4)		ERBP047R200W	12.6 x 1.61 x 4.8 (320 x 41 x 122)
i550-C5.5/400-3	7.5 (5.5)		ERBP047R200W	12.6 x 1.61 x 4.8 (320 x 41 x 122)
i550-C7.5/400-3	10 (7.5)		ERBP027R200W	12.6 x 1.61 x 4.8 (320 x 41 x 122)
i550-C11/400-3	15 (11)		ERBP027R200W	12.6 x 1.61 x 4.8 (320 x 41 x 122)
i550-C15/400-3	20 (15)		ERBS018R800W	27.95 x 4.33 x 4.13 (710 x 110 x 105)
i550-C18/400-3	25 (18.5)		ERBS015R800W	27.95 x 4.33 x 4.13 (710 x 110 x 105)
i550-C22/400-3	30 (22)		ERBS015R800W	27.95 x 4.33 x 4.13 (710 x 110 x 105)
i550-C30/400-3	40 (30)		ERBG075D01K9	19.13 x 9.29 x 11.89 (486 x 236 x 302)
i550-C37/400-3	50 (37)		ERBG075D01K9	19.13 x 9.29 x 11.89 (486 x 236 x 302)
i550-C45/400-3	60 (45)		ERBG075D01K9	19.13 x 9.29 x 11.89 (486 x 236 x 302)
i550-C55/400-3	75 (55)		ERBG005R02K6	19.13 x 12.83 x 11.89 (486 x 326 x 302)
i550-C75/400-3	100 (75)		ERBG005R02K6	19.13 x 12.83 x 11.89 (486 x 326 x 302)
i550-C90/400-3	125 (90)		ERBG028D04K1	19.13 x 16.77 x 11.89 (486 x 426 x 302)
i550-C110/400-3	150 (110)	ERBG028D04K1	19.13 x 16.77 x 11.89 (486 x 426 x 302)	
	Light duty			
i550-C3/400-3	5 (4)	3/PE AC 340 V ... 528 V 45 Hz ... 65 Hz	ERBP082R200W	12.6 x 1.61 x 4.8 (320 x 41 x 122)
i550-C4/400-3	7.5 (5.5)		ERBP047R200W	12.6 x 1.61 x 4.8 (320 x 41 x 122)
i550-C5.5/400-3	10 (7.5)		ERBP047R200W	12.6 x 1.61 x 4.8 (320 x 41 x 122)
i550-C7.5/400-3	15 (11)		ERBP027R200W	12.6 x 1.61 x 4.8 (320 x 41 x 122)
i550-C11/400-3	20 (15)		ERBP027R200W	12.6 x 1.61 x 4.8 (320 x 41 x 122)
i550-C15/400-3	25 (18.5)		ERBS018R800W	27.95 x 4.33 x 4.13 (710 x 110 x 105)
i550-C18/400-3	30 (22)		ERBS015R800W	27.95 x 4.33 x 4.13 (710 x 110 x 105)
i550-C22/400-3	40 (30)		ERBS015R800W	27.95 x 4.33 x 4.13 (710 x 110 x 105)
i550-C30/400-3	50 (37)		ERBG075D01K9	19.13 x 9.29 x 11.89 (486 x 236 x 302)
i550-C37/400-3	60 (45)		ERBG075D01K9	19.13 x 9.29 x 11.89 (486 x 236 x 302)
i550-C45/400-3	75 (55)		ERBG075D01K9	19.13 x 9.29 x 11.89 (486 x 236 x 302)
i550-C55/400-3	100 (75)		ERBG005R02K6	19.13 x 12.83 x 11.89 (486 x 326 x 302)
i550-C75/400-3	125 (90)		ERBG005R02K6	19.13 x 12.83 x 11.89 (486 x 326 x 302)
i550-C90/400-3	150 (110)		ERBG028D04K1	19.13 x 16.77 x 11.89 (486 x 426 x 302)
i550-C110/400-3	175 (132)		ERBG028D04K1	19.13 x 16.77 x 11.89 (486 x 426 x 302)

There are also additional accessory components available for the i550 inverter. You can find the complete range in the project planning documents for the i550.

Mains choke		RFI filter			
<ul style="list-style-type: none"> • Heavy Duty: up to 25 hp (18.5 kW) can be optionally used: from 30 hp (22 kW) upwards, prescribed • Light Duty: always prescribed • Reduction of the effective mains current • Less harmonics 		Short Distance		Long Distance	
		<ul style="list-style-type: none"> • C1 up to 82 ft. (25 m) • C2 up to 164 ft. (50 m) • Reduces leakage current (30 mA FI) 		<ul style="list-style-type: none"> • C1 up to 164 ft. (50 m) • C2 up to 328 ft. (100 m) • Reduces leakage current (300 mA FI) 	
Order codes	Dimensions (h x b x d) in (mm)	Order codes	Dimensions (h x b x d) in (mm)	Order codes	Dimensions (h x b x d) in (mm)
EZAELN3002B203	2.2 x 3.03 x 3.94 (56 x 77 x 100)	I0FAE175F100S0000S	10.87 x 2.36 x 1.97 (276 x 60 x 50)	I0FAE175F100D0000S	10.87 x 2.36 x 1.97 (276 x 60 x 50)
EZAELN3002B153	2.2 x 3.03 x 3.94 (56 x 77 x 100)	I0FAE175F100S0000S	10.87 x 2.36 x 1.97 (276 x 60 x 50)	I0FAE175F100D0000S	10.87 x 2.36 x 1.97 (276 x 60 x 50)
EZAELN3004B742	2.36 x 3.74 x 4.53 (60 x 95 x 115)	I0FAE175F100S0000S	10.87 x 2.36 x 1.97 (276 x 60 x 50)	I0FAE175F100D0000S	10.87 x 2.36 x 1.97 (276 x 60 x 50)
EZAELN3004B742	2.36 x 3.74 x 4.53 (60 x 95 x 115)	I0FAE222F100S0000S	13.62 x 2.36 x 1.97 (346 x 60 x 50)	I0FAE222F100D0000S	13.62 x 2.36 x 1.97 (346 x 60 x 50)
EZAELN3004B742	2.36 x 3.74 x 4.53 (60 x 95 x 115)	I0FAE222F100S0000S	13.62 x 2.36 x 1.97 (346 x 60 x 50)	I0FAE222F100D0000S	13.62 x 2.36 x 1.97 (346 x 60 x 50)
EZAELN3006B492	2.72 x 3.74 x 4.72 (69 x 95 x 120)	I0FAE222F100S0000S	13.62 x 2.36 x 1.97 (346 x 60 x 50)	I0FAE222F100D0000S	13.62 x 2.36 x 1.97 (346 x 60 x 50)
EZAELN3008B372	3.35 x 4.72 x 5.51 (85 x 120 x 140)	I0FAE255F100S0000S	13.62 x 3.54 x 2.36 (346 x 90 x 60)	I0FAE255F100D0000S	13.62 x 3.54 x 2.36 (346 x 90 x 60)
EZAELN3010B292	3.35 x 4.72 x 5.51 (85 x 120 x 140)	I0FAE255F100S0000S	13.62 x 3.54 x 2.36 (346 x 90 x 60)	I0FAE255F100D0000S	13.62 x 3.54 x 2.36 (346 x 90 x 60)
EZAELN3016B182	3.74 x 4.72 x 5.51 (95 x 120 x 140)	I0FAE255F100S0000S	13.62 x 3.54 x 2.36 (346 x 90 x 60)	I0FAE255F100D0000S	13.62 x 3.54 x 2.36 (346 x 90 x 60)
EZAELN3016B182	3.74 x 4.72 x 5.51 (95 x 120 x 140)	I0FAE311F100S0000S	14.61 x 4.72 x 2.36 (371 x 120 x 60)	I0FAE311F100D0000S	14.61 x 4.72 x 2.36 (371 x 120 x 60)
EZAELN3025B122	4.33 x 6.1 x 6.69 (110 x 155 x 170)	I0FAE311F100S0000S	14.61 x 4.72 x 2.36 (371 x 120 x 60)	I0FAE311F100D0000S	14.61 x 4.72 x 2.36 (371 x 120 x 60)
EZAELN3030B981	4.33 x 6.1 x 6.69 (110 x 155 x 170)	E84AZESR1834LD	17.17 x 8.07 x 3.54 (436 x 205 x 90)	E84AZESR1834LD	17.17 x 8.07 x 3.54 (436 x 205 x 90)
EZAELN3040B741	4.41 x 7.28 x 7.87 (112 x 185 x 200)	E84AZESR1834LD	17.17 x 8.07 x 3.54 (436 x 205 x 90)	E84AZESR1834LD	17.17 x 8.07 x 3.54 (436 x 205 x 90)
EZAELN3045B651	4.41 x 7.28 x 7.87 (112 x 185 x 200)	E84AZESM2234LD	17.17 x 8.07 x 3.54 (436 x 205 x 90)	E84AZESM2234LD	17.17 x 8.07 x 3.54 (436 x 205 x 90)
EZAELN3063B471	4.8 x 7.28 x 8.27 (122 x 185 x 210)	E84AZESM3034LD	23.23 x 9.84 x 4.13 (590 x 250 x 105)	E84AZESM3034LD	23.23 x 9.84 x 4.13 (590 x 250 x 105)
EZAELN3080B371	4.92 x 8.27 x 9.45 (125 x 210 x 240)	E84AZESM3734LD	23.23 x 9.84 x 4.13 (590 x 250 x 105)	E84AZESM3734LD	23.23 x 9.84 x 4.13 (590 x 250 x 105)
EZAELN3080B371	4.92 x 8.27 x 9.45 (125 x 210 x 240)	E84AZESM4534LD	23.23 x 9.84 x 4.13 (590 x 250 x 105)	E84AZESM4534LD	23.23 x 9.84 x 4.13 (590 x 250 x 105)
EZAELN3100B301	5.47 x 10.51 x 8.07 (139 x 267 x 205)	-	-	-	-
EZAELN3160B191	5.87 x 11.46 x 8.46 (149 x 291 x 215)	-	-	-	-
EZAELN3180B171	6.46 x 12.44 x 9.25 (164 x 316 x 235)	-	-	-	-
EZAELN3200B151	5.67 x 13.86 x 10.43 (144 x 352 x 265)	-	-	-	-
EZAELN3010B292	3.35 x 4.72 x 5.51 (85 x 120 x 140)	I0FAE255F100S0000S	13.62 x 3.54 x 2.36 (346 x 90 x 60)	I0FAE255F100D0000S	13.62 x 3.54 x 2.36 (346 x 90 x 60)
EZAELN3016B182	3.74 x 4.72 x 5.51 (95 x 120 x 140)	I0FAE255F100S0000S	13.62 x 3.54 x 2.36 (346 x 90 x 60)	I0FAE255F100D0000S	13.62 x 3.54 x 2.36 (346 x 90 x 60)
EZAELN3016B182	3.74 x 4.72 x 5.51 (95 x 120 x 140)	I0FAE255F100S0000S	13.62 x 3.54 x 2.36 (346 x 90 x 60)	I0FAE255F100D0000S	13.62 x 3.54 x 2.36 (346 x 90 x 60)
EZAELN3025B122	4.33 x 6.1 x 6.69 (110 x 155 x 170)	I0FAE311F100S0000S	14.61 x 4.72 x 2.36 (371 x 120 x 60)	I0FAE311F100D0000S	14.61 x 4.72 x 2.36 (371 x 120 x 60)
EZAELN3030B981	4.33 x 6.1 x 6.69 (110 x 155 x 170)	I0FAE311F100S0000S	14.61 x 4.72 x 2.36 (371 x 120 x 60)	I0FAE311F100D0000S	14.61 x 4.72 x 2.36 (371 x 120 x 60)
EZAELN3040B741	4.41 x 7.28 x 7.87 (112 x 185 x 200)	-	-	-	-
EZAELN3045B651	4.41 x 7.28 x 7.87 (112 x 185 x 200)	-	-	-	-
EZAELN3063B471	4.8 x 7.28 x 8.27 (122 x 185 x 210)	-	-	-	-
EZAELN3080B371	4.92 x 8.27 x 9.45 (125 x 210 x 240)	-	-	-	-
EZAELN3090B331	4.53 x 10.51 x 8.07 (115 x 267 x 205)	-	-	-	-
EZAELN3100B301	5.47 x 10.51 x 8.07 (139 x 267 x 205)	-	-	-	-
EZAELN3125B241	5.47 x 11.46 x 8.46 (139 x 291 x 215)	-	-	-	-
EZAELN3160B191	5.87 x 11.46 x 8.46 (149 x 291 x 215)	-	-	-	-
EZAELN3200B151	5.67 x 13.86 x 10.43 (144 x 352 x 265)	-	-	-	-
EZAELN3250B121	8.15 x 13.86 x 10.24 (207 x 352 x 260)	-	-	-	-

Lenze Drives GmbH
Postfach 10 13 52
D-31763 Hameln
Germany
Phone +49 05154 82-0
Fax +49 05154 82-2800
Mail Lenze@Lenze.com
Web www.Lenze.com

Lenze Americas
630 Douglas Street
Uxbridge MA 01504

Phone 800 217-9100
Mail techsupport.us@lenze.com
Web ww.Lenze.com